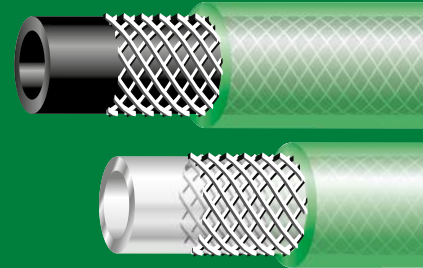




**TUBI
ITALIA
BOHEMIA s.r.o.**



PRODUCT CATALOGUE



PRODUCTION OF GRANULATES
AND HOSES SINCE 1995

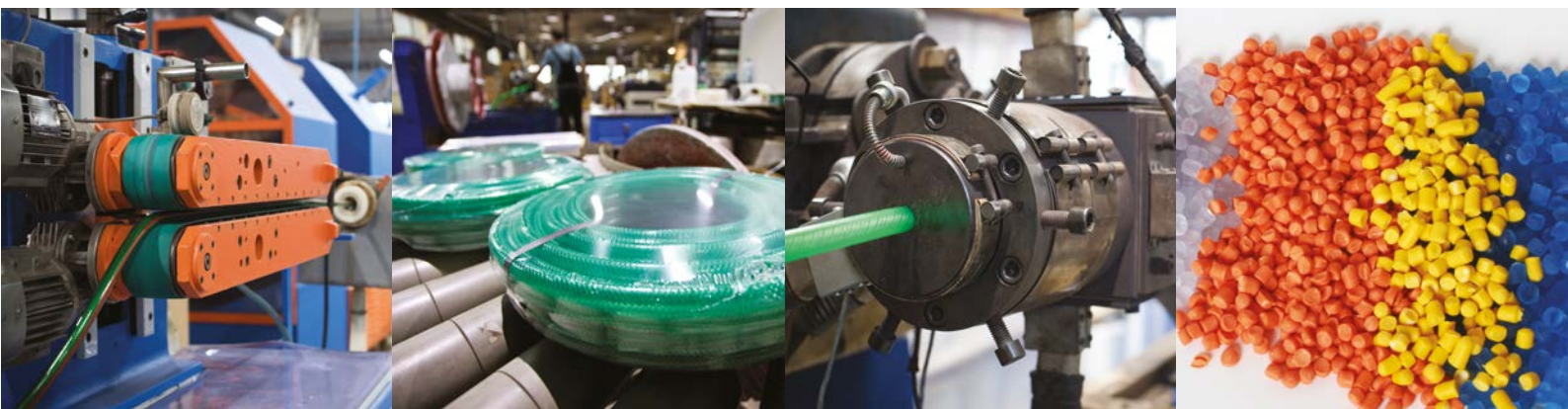
www.profihadice.cz

COMPANY HISTORY

- 1994 establishment of the company
- 1998 relocation to larger production facilities
- 2000 extension of granulate production to include recycling PVC waste
- 2002 installation of two more hose production lines
- 2007 introduction of quality management system according to ČSN EN 9001
- 2021 complete reconstruction of the granulation line

This catalogue presents a clear overview of our core products – those we most commonly manufacture and trade.

As we continuously strive to improve product quality and customer service, and as we expand our production range, we can also manufacture additional hose types or colour variants not listed here.



Czech production
We are manufacturers
of PVC hoses

THE CATALOGUE CONTAINS THE FOLLOWING CHAPTERS:

01. TECHNOLOGY – INDUSTRY

Hoses for industrial water and compressed air transport
Hoses for water cooling injection moulds
High-temperature-resistant hoses
Hoses for long-term contact with drinking water
Hoses for distributing compressed air and air tool connection
Oil-resistant hoses
Hoses for transporting aqueous solutions of pesticides and insecticides
Single-layer hoses for non-pressurised water and air transport
Single-layer hoses for non-pressurised petrol transport
Single-layer hoses for massage baths
Hose level
Single-layer protective hoses

02. GARDEN

Garden hoses for water transport distinguished by colour and wall thickness

03. HOUSEHOLD

Shower hoses
Washing machine filling hoses
Washing machine drain hoses

04. HOSE ACCESSORIES

Standard quick couplings DN 7.2
Standard plugs DN 7.2
Two-way and three-way adapters for quick couplings
Fittings for compressed air
Hose clamps

01. TECHNOLOGY – INDUSTRY

01-01 TubiTECH	01-01-01 TubiTECH crystal.....	06
	01-01-02 TubiTECH MB 11.....	07
	01-01-03 TubiTECH black.....	08
	01-01-04 TubiTECH cooling.....	09
	01-01-05 TubiTECH TPE 120.....	10
	01-01-06 TubiTECH PV - drinking water hose	11
01-02 TubiAIR	01-02-01 TubiAIR blue	12
	01-02-02 TubiAIR transparent.....	13
	01-02-03 TubiAIR superelastic OR.....	14
	01-02-04 TubiAIR PU.....	15
01-03 TubiPRESS	01-03-01 TubiPRESS beige 20 OR.....	16
	01-03-02 TubiPRESS ECO 20.....	17
	01-03-03 TubiPRESS 40.....	18
	01-03-04 TubiPRESS 80	19
01-04 Tubi BT	01-04-01 Tubi BT crystal	20
	01-04-03 Tubi BT crystal B.....	21
	01-04-04 Tubi BT Spa	21
	01-04-06 Hose level	22
	01-04-07 Tubi BT protection hose	22

02. GARDEN

02-01 Black-green	02-01-01 Black-green LIGHT	23
	02-01-02 Black-green HOBBY	24
	02-01-03 Black-green PROFI	25
02-02 Crystal	02-02-01 Crystal LIGHT.....	26
02-03 Caribic	02-03-01 Caribic	27
	02-03-02 Caribic HOBBY.....	28
	02-03-03 Caribic PROFI	29
02-04 Black and yellow	02-04-01 Black and yellow LIGHT.....	30
	02-04-02 Black and yellow PROFI	31
02-05 Astra Green	02-05-01 Astra Green PROFI.....	32
02-06 Astra Yellow	02-06-01 Astra Yellow PROFI	33
02-09 Suction hose	02-09-01 Suction hose Aqua.....	34
02-10 Cobra Green	02-10-01 Cobra Green PROFI.....	35



03. HOUSEHOLD

03-01 Shower hose	03-01-01 Shower hose WITHOUT TEXTILE	36
	03-01-02 Shower hose WITH TEXTILE	37
03-02 Washing machine filling hose	03-02-01 Washing machine filling hose type 100 SC FF.....	38
	03-02-02 Washing machine filling hose type 100 SS FM	39
	03-02-03 Washing machine filling hose type 100 SS FF.....	40
	03-02-04 Washing machine filling hose type 200 Light SC FF.....	41
	03-02-05 Washing machine filling hose type 200 Light SS FM	42
	03-02-06 Washing machine filling hose type 200 Light SS FF	43
03-03 Washing machine drain hose	03-03-01 Washing machine drain hose S-S	44
	03-03-02 Washing machine drain hose S-C	44
	03-03-03 Washing machine drain hose extension	45

04. HOSE ACCESSORIES

04-01 Standard quick couplings DN 7,2	04-01-01 Quick couplings with male thread.....	46
	04-01-02 Quick couplings with female thread.....	46
	04-01-03 Quick couplings with hose barb.....	46
04-02 Standard plugs DN 7,2	04-02-01 Plugs with male thread	47
	04-02-02 Plugs with female thread	47
	04-02-03 Plugs with hose barb	47
04-03 Two-way and three-way splitters for quick couplings	04-03-01 Two-way splitters with female threads	48
	04-03-02 Two-way splitters with quick couplings DN 7,2	48
	04-03-03 Three-way splitters with female threads	48
	04-03-04 Three-way splitters with quick couplings DN 7,2	48
04-04 Fittings for compressed air	04-04-01 Male threaded fitting with hose shank	49
	04-04-02 Female/male thread reducer.....	49
	04-04-03 Fittings with male threads.....	50
	04-04-04 Connecting pipes.....	50
	04-04-05 Swivel nuts.....	50
	04-04-06 Inserts for cap nuts (with external cone)	50
04-05 Hose clamps	04-05-01 Hose clamps version W1, 9 mm	51
	04-05-02 Hose clamps version W2, 9 mm	51
	04-05-03 Hose clamps version W4, 9 mm	52
	04-05-04 Hose clamps Power Clamp version W1	53
	Table of chemical resistance of PVC	54
	Working pressure values depending on temperature	55

01-01-01 TubiTECH crystal



Usage:

The hose is designed for technical purposes — transport of industrial water and air. It is not intended for drinking water or contact with food.

Inner layer:

Plasticised PVC — transparent clear

Outer layer:

Plasticised PVC
— transparent clear

Reinforcement:

High-strength polyester fibre.

Operating temperature:

-5°C to +60°C



Note:

If the hoses are used for compressed air, their pressure resistance corresponds to ČSN EN ISO 5774 standard (types A and B).

diameter mm		max weight kg/m	max pressure bar						length packed m	number
inner	outer		WATER		AIR 23°C		AIR 60°C			
			working	failure	working	failure	working	failure		
4	10	0,084	20	60	10	40	6,5	26	50	704101
4	10	0,084	20	60	10	40	6,5	26	100	704102
5	11	0,096	20	60	10	40	6,5	26	50	705111
5	11	0,096	20	60	10	40	6,5	26	100	705112
6	11	0,085	20	60	10	40	6,5	26	50	706111
6	11	0,085	20	60	10	40	6,5	26	100	706112
8	13	0,105	17	51	10	40	6,5	26	50	708131
8	13	0,105	17	51	10	40	6,5	26	100	708132
10	14	0,096	15	45	10	40	6,5	26	50	710141
10	14	0,096	15	45	10	5	6,5	26	100	710142
12,5	17	0,132	15	45	10	40	6,5	26	25	712171
12,5	17	0,132	15	45	10	40	6,5	26	50	712172
16	22	0,228	15	45	10	40	6,5	26	25	716221
16	22	0,228	15	45	10	40	6,5	26	50	716222
19	26	0,315	10	30	7	28	4,5	18	25	719261
19	26	0,315	10	30	7	28	4,5	18	50	719262
25	32	0,399	6	18	not recommended for compressed air	not recommended for compressed air			25	725321
25	32	0,399	6	18					50	725322
30	38	0,544	6	18					25	730381
30	38	0,544	6	18					50	730382
32	40	0,576	6	18					25	73240
32	40	0,576	6	18					50	732402
38	48	0,860	4	12					25	73848
40	50	0,900	3	9					25	74050
50	62	1,344	3	9					25	75062



01-01-02 TubiTECH MB 11



Usage:

The hose is designed for technical purposes — transport of industrial water and air. It is not intended for drinking water or contact with food.

Inner layer:

Plasticised PVC — transparent clear

Outer layer:

Plasticised PVC — transparent green

Reinforcement:

High-strength polyester fibre.

Operating temperature:

-5°C to +60°C

Note:

If the hoses are used for compressed air, their pressure resistance corresponds to ČSN EN ISO 5774 standard (types A and B).



diameter mm		max weight kg/m	max pressure bar						length packed m	number
inner	outer		WATER		AIR 23°C		AIR 60°C			
			working	failure	working	failure	working	failure		
6	11	0,085	20	60	10	40	6,5	26	50	706111Z
8	13	0,105	17	51	10	40	6,5	26	50	708131Z
10	14	0,096	15	45	10	40	6,5	26	50	710141Z
12,5	17	0,132	15	45	10	40	6,5	26	25	712171Z
12,5	17	0,132	15	45	10	40	6,5	26	50	712172Z
16	22	0,228	15	45	10	40	6,5	26	25	716221Z
16	22	0,228	15	45	10	40	6,5	26	50	716222Z
19	26	0,315	10	30	7	28	4,5	18	25	719261Z
19	26	0,315	10	30	7	28	4,5	18	50	719262Z
25	32	0,399	6	18	not recommended for compressed air		not recommended for compressed air		25	725321Z
25	32	0,399	6	18					50	725322Z
32	40	0,576	6	18					25	73240Z
32	40	0,576	6	18					50	732402Z

01-01-03 TubiTECH black



Usage:

The hose is designed for technical purposes — transport of industrial water and air. It is not intended for drinking water or contact with food.

In appearance and flexibility, it is similar to rubber.

Inner layer:

Plasticised PVC — black

Outer layer:

Plasticised PVC — black

Reinforcement:

High-strength polyester fibre.

Operating temperature:

-5°C to +60°C

Note:

If the hoses are used for compressed air, their pressure resistance corresponds to ČSN EN ISO 5774 standard (types A and B).

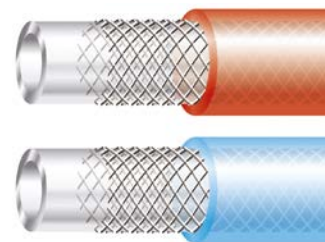


diameter mm		max weight kg/m	max pressure bar						length packed m	number
inner	outer		Water		AIR 23°C		AIR 60°C			
			working	failure	working	failure	working	failure		
4	10	0,088	20	60	10	40	6,5	26	50	704101B
4	11	0,110	20	60	10	40	6,5	26	50	704111B
5	11	0,100	20	60	10	40	6,5	26	50	705111B
6	11	0,089	20	60	10	40	6,5	26	50	706111B
8	13	0,110	17	51	10	40	6,5	26	50	708131B
10	14	0,100	15	45	10	40	6,5	26	50	710141B
12,5	17	0,139	15	45	10	40	6,5	26	50	712172B
16	22	0,239	15	45	10	40	6,5	26	50	716222B
19	26	0,330	10	30	7	28	4,5	18	50	719262B
25	32	0,418	6	18	not recommended for compressed air	not recommended for compressed air	not recommended for compressed air	not recommended for compressed air	50	725322B
30	38	0,571	6	18					50	730382B
32	40	0,604	6	18					25	732401B
38	48	0,903	4	12					25	73848B
40	50	0,945	3	9					25	74050B
50	62	1,411	3	9					25	75062B

TubiTECH black hose is available on request — as a custom production.



01-01-04 TubiTECH-cooling



Usage:

Water cooling of injection moulds. The colour design clearly distinguishes the water inlet and outlet.

Inner layer:

Plasticised PVC — transparent clear

Outer layer:

Plasticised PVC — transparent blue or red

Reinforcement:

High-strength polyester fibre.

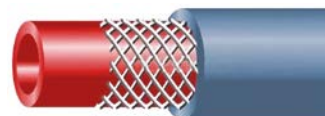
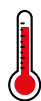
Operating temperature:

-5°C to +60°C, short-term to +90°C



diameter mm		max weight kg/m	max pressure bar		length packed m	number	color
inner	outer		working	failure			
6	12	0,108	20	60	50	706123	red
9	15	0,144	17	51	50	709153	red
13	19	0,192	15	45	50	713193	red
19	26	0,315	10	30	50	719264	red
6	12	0,108	20	60	50	706124	blue
9	15	0,144	17	51	50	709154	blue
13	19	0,195	15	45	50	713194	blue
19	26	0,315	10	30	50	719263	blue

01-01-05 TubiTECH TPE 120



Usage:

Transportation of industrial water and air using high temperatures. The material used makes the hose light, flexible and resistant to deformation. The hose is resistant to high temperatures.

Inner layer:

TPE — thermoplastic polyethylene, red colour

Outer layer:

TPE — thermoplastic polyethylene, grey-blue opaque

Reinforcement:

High-strength polyester fibre.

Operating temperature:

-10°C to +120°C



diameter mm		max weight	max pressure bar Water		max pressure bar AIR		length packed m	number
inner	outer	kg/m	working	failure	working	failure		
5	8,4	0,045	20	60	15	45	50	8TPE0508
6	10	0,064	20	60	15	45	50	8TPE0610
8	12	0,080	20	60	15	45	50	8TPE0812
9	13	0,088	20	60	15	45	50	8TPE0913
13	19	0,170	20	60	15	45	50	8TPE1319

01-01-06 TubiTECH PV drinking water hose



Usage:

Transport of drinking water. The hose is designed for long-term contact with drinking water according to Decree No. 409/2005 Coll.

Inner layer:

Plasticised PVC — clear transparent natural

Outer layer:

Plasticised PVC — clear transparent natural

Reinforcement:

High-strength polyester fibre.

Operating temperature:

-5°C to +60°C



diameter mm		max weight kg/m	max pressure bar		length packed m	number
inner	outer		working	failure		
6	11	0,085	20	60	50	PV0611
8	13	0,105	17	51	50	PV0813
10	14	0,096	15	45	50	PV1014
12,5	17	0,132	15	45	50	PV1217
16	22	0,228	15	45	50	PV1622
19	26	0,315	10	30	50	PV1926
19	26	0,315	10	30	25	PV19261
25	32	0,399	6	18	50	PV2532
25	32	0,399	6	18	25	PV25321
32	40	0,576	6	18	50	PV3240
32	40	0,576	6	18	50	PV32401

01-02-01 TubiAIR blue



Usage:
Distribution of compressed air.

Inner layer:
Plasticised PVC — black

Outer layer:
Plasticised PVC — opaque blue

Reinforcement:
High-strength polyester fibre.

Operating temperature:
-5°C to +60°C



Pressure resistance according to ČSN EN ISO 5774 (type C).

diameter mm		max weight	max pressure bar 23°C		max pressure bar 60°C		length packed m	number
inner	outer	kg/m	working	failure	working	failure		
6	12	0,113	16	64	11	45	50	303754
9	15	0,151	16	64	11	45	50	303755
13	19	0,201	16	64	11	45	50	303756

TubiAIR blue with end fittings

The TubiAIR hose with end fittings is equipped with a brass quick coupling and a DN 7,2 plug. The assembly is equipped with deformation clamp. The prefabricated hoses are mainly intended for connecting pneumatic tools.



diameter mm		max weight	max pressure bar 23°C		max pressure bar 60°C		length packed m	number
inner	outer	kg/ks	working	failure	working	failure		
6	12	0,66	16	64	11	45	5	303811
6	12	1,23	16	64	11	45	10	303822
6	12	1,80	16	64	11	45	15	303833
6	12	2,38	16	64	11	45	20	303844
9	15	0,88	16	64	11	45	5	303866
9	15	1,67	16	64	11	45	10	303877
9	15	2,46	16	64	11	45	15	303888
9	15	3,25	16	64	11	45	20	303899
13	19	1,16	16	64	11	45	5	303922
13	19	2,21	16	64	11	45	10	303933
13	19	3,26	16	64	11	45	15	303940
13	19	4,31	16	64	11	45	20	303942

01-02-02 TubiAIR transparent



Usage:
Distribution of compressed air.

Inner layer:
Plasticised PVC — transparent clear

Outer layer:
Plasticised PVC — transparent blue

Reinforcement:
High-strength polyester fibre.

Operating temperature:
-5°C to +60°C



Pressure resistance according to ČSN EN ISO 5774 (type C)

diameter mm		max weight kg/m	max pressure bar 23°C		max pressure bar 60°C		length packed m	number
inner	outer		working	failure	working	failure		
6	12	0,108	16	64	11	45	50	303751
9	15	0,144	16	64	11	45	50	303752
13	19	0,192	16	64	11	45	50	303753

TubiAIR transparent with end fittings

The TubiAIR hose with end fittings is equipped with a brass quick coupling and a DN 7,2 plug. The assembly is equipped with deformation clamp. The prefabricated hoses are mainly intended for connecting pneumatic tools.



diameter mm		max weight kg/ks	max pressure bar 23°C		max pressure bar 60°C		length packed m	number
inner	outer		working	failure	working	failure		
6	12	0,64	16	64	11	45	5	30381
6	12	1,18	16	64	11	45	10	30382
6	12	1,72	16	64	11	45	15	30383
6	12	2,26	16	64	11	45	20	30384
9	15	0,72	16	64	11	45	5	30386
9	15	1,55	16	64	11	45	10	30387
9	15	2,27	16	64	11	45	15	30388
9	15	3,00	16	64	11	45	20	30389
13	19	1,06	16	64	11	45	5	30392
13	19	2,02	16	64	11	45	10	30393
13	19	3,02	16	64	11	45	15	30394
13	19	4,31	16	64	11	45	20	303941

01-02-03 TubiAIR superelastic OR



Usage:

Distribution of compressed air. The inner layer is oil-resistant. Thanks to the use of material with a special composition, it is very flexible and elastic.

Inner layer:

Plasticised PVC — black

Outer layer:

Plasticised PVC — opaque grey.

Reinforcement:

High-strength polyester fibre.

Operating temperature:

-5°C to +60°C

Pressure resistance according to ČSN EN ISO 5774 (type C).



diameter mm		max weight kg/m	max pressure bar 23°C		max pressure bar 60°C		length packed m	number
inner	outer		working	failure	working	failure		
6	12	0,113	16	64	11	45	50	303758
9	15	0,151	16	64	11	45	50	303759
13	19	0,201	16	64	11	45	50	303760
19	27	0,386	10	40	6,5	26	50	3037607

TubiAIR superelastic OR with end fittings

The TubiAIR hose with end fittings is equipped with a brass quick coupling and a DN 7,2 plug. The assembly is equipped with deformation clamp. The prefabricated hoses are mainly intended for connecting pneumatic tools.



diameter mm		max weight kg/ks	max pressure bar 23°C		max pressure bar 60°C		length packed m	number
inner	outer		working	failure	working	failure		
6	12	0,66	16	64	11	45	5	3037582
6	12	1,23	16	64	11	45	10	3037583
6	12	1,80	16	64	11	45	15	3037584
6	12	2,38	16	64	11	45	20	3037585
9	15	0,88	16	64	11	45	5	3037592
9	15	1,67	16	64	11	45	10	3037593
9	15	2,46	16	64	11	45	15	3037594
9	15	3,25	16	64	11	45	20	30375941
13	19	1,16	16	64	11	45	5	3037602
13	19	2,21	16	64	11	45	10	3037603
13	19	3,26	16	64	11	45	15	3037604
13	19	4,31	16	64	11	45	20	3037605



01-02-04 TubiAIR PU



Usage:

Distribution of compressed air. Connecting pneumatic tools. Thanks to the use of a specially formulated material, it is highly flexible and pliable and partially resistant to abrasion.

Inner layer:

Plasticised PVC/PU — opaque blue

Outer layer:

Plasticised PVC/PU — opaque blue

Reinforcement:

High-strength polyester fibre.

Operating temperature:

-10°C to +60°C

Pressure resistance according to ČSN EN ISO 5774 (type B, C).



diameter mm		max weight kg/m	max pressure bar 23°C		max pressure bar 60°C		length packed m	number
inner	outer		working	failure	working	failure		
6	10	0,065	16	64	11	45	50	8PU0610
8	12	0,085	16	64	11	45	50	8PU0812
10	14,5	0,115	16	64	11	45	50	8PU1014
13	19	0,195	16	64	11	45	50	8PU1319
19	26	0,315	10	40	6,5	26	50	8PU1926

01-03-01 TubiPRESS beige 20 OR



Usage:

Transport of water, aqueous solutions of pesticides and insecticides, transport of compressed air with oil admixture.

Inner layer:

Plasticised PVC — black, oil-resistant material

Outer layer:

Plasticised PVC — opaque beige

Reinforcement:

High-strength polyester fibre.

Operating temperature:

-5°C to +60°C

Note:

If the hoses are used for compressed air, their pressure resistance corresponds to ČSN EN ISO 5774 (type B, C)



diameter mm		max weight kg/m	max pressure bar						length packed m	number
inner	outer		WATER		AIR 23°C		AIR 60°C			
			working	failure	working	failure	working	failure		
10	15	0,131	20	60	16	64	11	45	25	7A10151
10	15	0,131	20	60	16	64	11	45	50	7A1015
13	19	0,201	20	60	16	64	11	45	25	7A13191
13	19	0,201	20	60	16	64	11	45	50	7A1319
16	23	0,286	20	60	16	64	11	45	25	7A16231
16	23	0,286	20	60	16	64	11	45	50	7A1623
19	26	0,330	20	60	10	40	6,5	26	25	7A19261
19	26	0,330	20	60	10	40	6,5	26	50	7A1926
25	34	0,557	20	60	10	40	6,5	26	25	7A25341
25	34	0,557	20	60	10	40	6,5	26	50	7A2534

01-03-02 TubiPRESS ECO 20



Usage:

Transport of water, aqueous solutions of pesticides and insecticides, transport of compressed air.

Inner layer:

Plasticised PVC — black

Outer layer:

Plasticised PVC — opaque blue

Reinforcement:

High-strength polyester fibre.

Operating temperature:

-5°C to +60°C

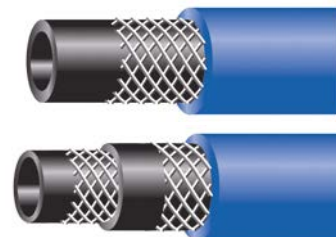
Note:

If the hoses are used for compressed air, their pressure resistance corresponds to ČSN EN ISO 5774 (type C).



diameter mm		max weight kg/m	max pressure bar						length packed m	number
inner	outer		WATER		AIR 23°C		AIR 60°C			
			working	failure	working	failure	working	failure		
8	13	0,110	20	60	16	64	11	45	25	7408131
8	13	0,110	20	60	16	64	11	45	50	740813
10	15	0,131	20	60	16	64	11	45	25	7410151
10	15	0,131	20	60	16	64	11	45	50	741015
13	19	0,201	20	60	16	64	11	45	25	7413191
13	19	0,201	20	60	16	64	11	45	50	741319

01-03-03 TubiPRESS 40



Usage:

Transport of water, aqueous solutions of pesticides and insecticides.
Transport of compressed air up to a working pressure of 40 bar.

Inner layer:

Plasticised PVC — black

Middle layer:

Plasticised PVC — transparent

Outer layer:

Plasticised PVC — opaque blue

Reinforcement:

High-strength polyester fibre.

Operating temperature:

-5°C to +60°C

Note:

If the hoses are used for compressed air, their pressure resistance corresponds to ČSN EN ISO 5774 (type C).



diameter mm		max weight kg/m	max pressure bar						length packed m	number
inner	outer		WATER		AIR 23°C		AIR 60°C			
			working	failure	working	failure	working	failure		
8	14	0,138	40	120	16	64	11	45	25	790814
8	14	0,138	40	120	16	64	11	45	50	7908141
10	16	0,163	40	120	16	64	11	45	25	791016
10	16	0,163	40	120	16	64	11	45	50	7910161
13	20	0,242	40	120	16	64	11	45	25	791320
13	20	0,242	40	120	16	64	11	45	50	7913201
16	23	0,286	40	120	16	64	11	45	25	791623
16	23	0,286	40	120	16	64	11	45	50	7916231
19	26	0,330	40	120	16	64	11	45	25	791926
19	26	0,330	40	120	16	64	11	45	50	7919261
25	34	0,557	40	120	16	64	11	45	25	792534
25	34	0,557	40	120	16	64	11	45	50	7925341



01-03-04 TubiPRESS 80



Usage:

Transport of water, aqueous solutions of pesticides and insecticides.
Transport of compressed air up to a working pressure of 80 bar.

Inner layer:

Plasticised PVC — black

Middle layer:

Plasticised PVC — transparent

Outer layer:

Plasticised PVC — opaque red

Reinforcement:

High-strength polyester fibre.

Operating temperature:

-5°C to +60°C

Note:

If the hoses are used for compressed air, their pressure resistance corresponds to ČSN EN ISO 5774 (type D)



diameter mm		max weight kg/m	max pressure bar						length packed m	number
inner	outer		WATER		AIR 23°C		AIR 60°C			
			working	failure	working	failure	working	failure		
8	15	0,169	80	240	25	100	13	50	25	7980815
8	15	0,169	80	240	25	100	13	50	50	79808151
10	17	0,198	80	240	25	100	13	50	25	7981017
10	17	0,198	80	240	25	100	13	50	50	79810171
13	21	0,285	80	240	25	100	13	50	25	7981321
13	21	0,285	80	240	25	100	13	50	50	79813211
16	26	0,441	80	240	25	100	13	50	25	7981626
16	26	0,441	80	240	25	100	13	50	50	79816261
19	29	0,504	80	240	25	100	13	50	25	7981929
19	29	0,504	80	240	25	100	13	50	50	79819291

01-04-01 Tubi BT-crystal



Usage:

Non-pressurised water and air transport and other general applications.

Material:

Plasticised PVC — transparent clear single-layer hose without textile reinforcement.

Operating temperature:

-5°C to +60°C

The table shows the most commonly manufactured hose diameters. Additional dimensions and different colour versions are available on request.

Shorter pack lengths are listed in the table below.

diameter mm		max weight	length packed m	number
inner	outer	kg/m		
3	5	0,016	200	7BT0305
4	6	0,020	500	7BT0406
5	7	0,024	100	7BT0507
5	8	0,039	200	7BT0508
6	8	0,028	200	7BT0608
6	9	0,045	200	7BT0609
6	10	0,064	50	7BT0610
7	10	0,051	100	7BT0710
8	10	0,036	200	7BT0810
8	12	0,080	100	7BT0812
10	13	0,069	200	7BT1013
12	16	0,112	100	7BT1216
14	18	0,128	50	7BT1418
15	19	0,136	50	7BT1519
16	20	0,144	50	7BT1620
19	24	0,215	50	7BT1924
20	24	0,176	50	7BT2024
21	25	0,184	50	7BT2125
22	24	0,092	100	7BT2224

diameter mm		max weight	length packed m	number
inner	outer	kg/pc		
3	5	0,08	5	7BT0305-05
3	5	0,16	10	7BT0305-10
3	5	0,32	20	7BT0305-20
4	6	0,10	5	7BT0406-05
4	6	0,20	10	7BT0406-10
4	6	0,40	20	7BT0406-20
5	7	0,12	5	7BT0507-05
5	7	0,24	10	7BT0507-10
5	7	0,48	20	7BT0507-20
5	8	0,20	5	7BT0508-05
5	8	0,39	10	7BT0508-10
5	8	0,78	20	7BT0508-20
6	8	0,14	5	7BT0608-05
6	8	0,28	10	7BT0608-10
6	8	0,56	20	7BT0608-20
6	9	0,23	5	7BT0609-05
6	9	0,46	10	7BT0609-10
6	9	0,90	20	7BT0609-20
6	10	0,32	5	7BT0610-05
6	10	0,64	10	7BT0610-10
6	10	1,28	20	7BT0610-20
7	10	0,26	5	7BT0710-05
7	10	0,51	10	7BT0710-10
7	10	1,02	20	7BT0710-20
8	10	0,19	5	7BT0810-05
8	10	0,36	10	7BT0810-10
8	10	0,72	20	7BT0810-20
8	12	0,40	5	7BT0812-05
8	12	0,80	10	7BT0812-10
8	12	1,60	20	7BT0812-20
10	13	0,35	5	7BT1013-05
10	13	0,69	10	7BT1013-10
10	13	1,38	20	7BT1013-20
12	16	0,56	5	7BT1216-05
12	16	1,12	10	7BT1216-10
12	16	2,24	20	7BT1216-20
15	19	0,68	5	7BT1519-05
15	19	1,36	10	7BT1519-10
15	19	2,72	20	7BT1519-20
16	20	0,72	5	7BT1620-05
16	20	1,44	10	7BT1620-10
16	20	2,88	20	7BT1620-20
21	25	0,93	5	7BT2125-05
21	25	1,85	10	7BT2125-10
21	25	2,78	20	7BT2125-20
25	31	1,68	5	7BT2531-05
25	31	3,36	10	7BT2531-10
25	31	5,04	20	7BT2531-15



01-04-03 Tubi BT-crystal B



Usage:

Non-pressure transport of petrol.
Made of a material with a special composition suitable for short-term contact with gasoline, diesel fuel, and mineral oils. The hose is not suitable for long-term immersion in a gasoline bath.

Material:

Plasticised PVC — transparent green or red
Single-layer hose without textile reinforcement.

Operating temperature:

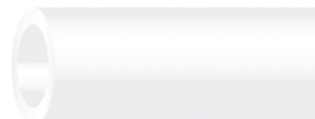
-5°C to +60°C



diameter mm		max weight kg/m	length packed m	number
inner	outer			
3	5	0,016	200	7BT0305B
4	6	0,020	200	7BT0406B
5	8	0,039	100	7BT0508B

diameter mm		max weight kg/m	length packed m	number
inner	outer			
6	9	0,045	100	7BT0609B
7	10	0,051	50	7BT0710B
8	12	0,080	100	7BT0812B

01-04-04 Tubi BT-Spa



Usage:

Water and air transport in the production of massage baths.

Material:

Plasticised PVC — opaque white
Single-layer hose without textile reinforcement.

Operating temperature:

-5°C to +60°C



diameter mm		max weight kg/m	length packed m	number
inner	outer			
6	10	0,064	50	7BT06101
10	14	0,096	50	7BT10141
15	19	0,136	50	7BT15191

diameter mm		max weight kg/m	length packed m	number
inner	outer			
20	26	0,276	25	7BT20261
25	31	0,336	25	7BT25311

01-04-06 Hose level



Usage:

Non-pressure water transport and installation of hose level.

Material:

Plasticised PVC — opaque black

Operating temperature:

Single-layer hose without textile reinforcement.



diameter mm		max weight kg/m	length packed m	number
inner	outer			
10	14	0,105	100	30527
10	14	0,105	10	305271
10	14	0,105	15	305272

diameter mm		max weight kg/pc	length packed m	number
inner	outer			
10	14	1,15	10	30913
10	14	1,67	15	30914
10	14	1,99	18	30916



The hose level is supplied complete with two plastic bulbs.

01-04-07 Tubi BT protection hose

Usage:

Mechanical protection for pipes, shopping cart handles, paddle handles and various products on transport pallets that are prone to scratches. The hose is used as a protective cover. The protective cover is produced in various sizes and colours, always based on individual demand.

Material:

Plasticised PVC — various colours
Single-layer hose without textile reinforcement with thin wall.

Operating temperature:

-5°C to +60°C



02-01-01
Black-green LIGHT



Usage:

Garden, agriculture, industry – transport of water and other non-aggressive liquids. The opaque design prevents algae growth.

Lightweight, thin-walled garden hose that is not suitable for frequent winding on a hose holder or reel.

Inner layer:

Plasticised PVC – opaque black

Outer layer:

Plasticised PVC – transparent green

Reinforcement:

High-strength polyester fibre.

Operating temperature:

-5°C to +60°C



size	diameter mm		max weight g/m	max pressure bar		length packed m	number
	inner	outer		working	failure		
1/2"	12	15	90	12	36	25	30103
1/2"	12	15	90	12	36	50	30105
5/8"	15	18,3	117	10	30	25	30109
5/8"	15	18,3	117	10	30	50	30110
3/4"	19	23,2	180	8	24	25	30114
3/4"	19	23,2	180	8	24	50	30115
1"	25	30	285	6	18	25	30119
1"	25	30	285	6	18	50	30120

Non-standard pack lengths are available on request.

02-01-02
Black-green HOBBY



Usage:

Garden, agriculture, industry – transport of water and other non-aggressive liquids. The opaque design prevents algae growth.

The hose has a reinforced wall which guarantees good mechanical properties.

The hose does not twist, break or otherwise deform under normal use.

Inner layer:

Plasticised PVC – opaque black

Outer layer:

Plasticised PVC – transparent green

Reinforcement:

High-strength polyester fibre.

Operating temperature:

-5°C to +60°C



size	diameter mm		max weight g/m	max pressure bar		length packed m	number
	inner	outer		working	failure		
1/2"	12	16,3	120	12	36	25	30127
1/2"	12	16,3	120	12	36	50	30129
5/8"	15	19,3	148	10	30	25	30133
5/8"	15	19,3	148	10	30	50	30134
3/4"	19	24,5	240	8	24	25	30138
3/4"	19	24,5	240	8	24	50	30139
1"	25	31,3	365	6	18	25	30143
1"	25	31,3	365	6	18	50	30144

Non-standard pack lengths are available on request.



02-01-03
Black-green PROFI



Usage:

Garden, agriculture, industry – transport of water and other non-aggressive liquids. The opaque design prevents algae growth.

The hose has a reinforced wall which guarantees good mechanical properties.

The hose does not twist, break or otherwise deform under normal use.

Inner layer:

Plasticised PVC – opaque black

Outer layer:

Plasticised PVC – transparent green

Reinforcement:

High-strength polyester fibre.

Operating temperature:

-5°C to +60°C



size	diameter mm		max weight g/m	max pressure bar		length packed m	number
	inner	outer		working	failure		
1/2"	12	16,5	130	12	36	25	30151
1/2"	12	16,5	130	12	36	50	30153
5/8"	15	21,5	228	10	30	25	30157
5/8"	15	21,5	228	10	30	50	30158
3/4"	19	26	315	8	24	25	30162
3/4"	19	26	315	8	24	50	30163
1"	25	32	399	6	18	25	30167
1"	25	32	399	6	18	50	30168
5/4"	31	38	600	4	12	25	30169
5/4"	31	38	600	4	12	50	301691

Non-standard pack lengths are available on request.

02-02-01
Crystal LIGHT



Usage:

Garden, agriculture, industry – transport of water and other non-aggressive liquids.

Lightweight, thin-walled garden hose that is not suitable for frequent winding on a hose holder or reel.

Inner layer:

Plasticised PVC – transparent clear

Outer layer:

Plasticised PVC – transparent clear

Reinforcement:

High-strength polyester fibre.

Operating temperature:

-5°C to +60°C

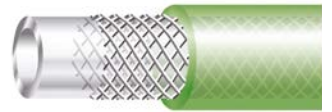


size	diameter mm		max weight g/m	max pressure bar		length packed m	number
	inner	outer		working	failure		
3/8"	9,5	14	100	12	36	50	30200
3/8"	9,5	14	100	12	36	25	30201
1/2"	12	15	87	12	36	25	30204
1/2"	12	15	87	12	36	50	30206
5/8"	15	18,3	117	10	30	25	30210
5/8"	15	18,3	117	10	30	50	30211
3/4"	19	23,2	180	8	24	25	30214
3/4"	19	23,2	180	8	24	50	30215
1"	25	30	285	6	18	25	30219
1"	25	30	285	6	18	50	30220

Non-standard pack lengths are available on request.



02-03-01
Caribic



Usage:

Garden, agriculture, industry – transport of water and other non-aggressive liquids.

The garden hose with thinner wall, suitable for normal garden use, for undemanding users.

Inner layer:

Plasticised PVC – transparent clear

Outer layer:

Plasticised PVC – transparent green

Reinforcement:

High-strength polyester fibre.

Operating temperature:

-5°C to +60°C



size	diameter mm		max weight g/m	max pressure bar		length packed m	number
	inner	outer		working	failure		
3/8"	9,5	14	100	12	36	25	30301
3/8"	9,5	14	100	12	36	50	30302
1/2"	12	15,8	108	12	36	25	30305
1/2"	12	15,8	108	12	36	50	30307
5/8"	15	18,5	130	10	30	25	30311
5/8"	15	18,5	130	10	30	50	30312
3/4"	19	23,8	205	8	24	25	30316
3/4"	19	23,8	205	8	24	50	30317
1"	25	30,5	305	6	18	25	30321
1"	25	30,5	305	6	18	50	30322
5/4"	31	38	540	4	12	25	30325
5/4"	31	38	540	4	12	50	30326

Non-standard pack lengths are available on request.

02-03-02
Caribic HOBBY



Usage:

Garden, agriculture, industry – transport of water and other non-aggressive liquids.

The hose has a reinforced wall which guarantees good mechanical properties. The hose does not twist, break or otherwise deform under normal use.

Inner layer:

Plasticised PVC – transparent clear

Outer layer:

Plasticised PVC – transparent green

Reinforcement:

High-strength polyester fibre.

Operating temperature:

-5°C to +60°C



size	diameter mm		max weight g/m	max pressure bar		length packed m	number
	inner	outer		working	failure		
1/2"	12	16,3	120	12	36	25	30332
1/2"	12	16,3	120	12	36	50	30334
5/8"	15	19,3	148	10	30	25	30338
5/8"	15	19,3	148	10	30	50	30339
3/4"	19	24,5	240	8	24	25	30343
3/4"	19	24,5	240	8	24	50	30344
1"	25	31,3	365	6	18	25	30348
1"	25	31,3	365	6	18	50	30349

Non-standard pack lengths are available on request.

02-03-03
Caribic PROFI



Usage:

Garden, agriculture, industry – transport of water and other non-aggressive liquids.

The hose has a reinforced wall which guarantees good mechanical properties. The hose does not twist, break or otherwise deform under normal use.

Inner layer:

Plasticised PVC – transparent clear

Outer layer:

Plasticised PVC – transparent green

Reinforcement:

High-strength polyester fibre.

Operating temperature:

-5°C to +60°C



size	diameter mm		max weight g/m	max pressure bar		length packed m	number
	inner	outer		working	failure		
1/2"	12	16,5	130	12	36	25	30357
1/2"	12	16,5	130	12	36	50	30359
5/8"	15	21,5	228	10	30	25	30363
5/8"	15	21,5	228	10	30	50	30364
3/4"	19	26	315	8	24	25	30368
3/4"	19	26	315	8	24	50	30369
1"	25	32	399	6	18	25	30374
1"	25	32	399	6	18	50	30375

Non-standard pack lengths are available on request.

02-04-01
Black and yellow LIGHT



Usage:

Garden, agriculture, industry – transport of water and other non-aggressive liquids.

The opaque design prevents algae growth.

Lightweight, thin-walled garden hose that is not suitable for frequent winding on a hose holder or reel.

Inner layer:

Plasticised PVC – opaque black

Outer layer:

Plasticised PVC – opaque yellow

Reinforcement:

High-strength polyester fibre.

Operating temperature:

-5°C to +60°C



size	diameter mm		max weight g/m	max pressure bar		length packed m	number
	inner	outer		working	failure		
1/2"	12	15	90	12	36	25	303767
1/2"	12	15	90	12	36	50	3037671
5/8"	15	18,3	117	10	30	25	303766
5/8"	15	18,3	117	10	30	50	3037661
3/4"	19	23,2	180	8	24	25	303769
3/4"	19	23,2	180	8	24	50	3037691
1"	25	30	285	6	18	25	303768
1"	25	30	285	6	18	50	3037681

The hose is available on request – as a custom production.



02-04-02
Black and yellow PROFI



Usage:

Garden, agriculture, industry – transport of water and other non-aggressive liquids.

The opaque design prevents algae growth.

The hose has a reinforced wall which guarantees excellent mechanical properties. The hose does not twist, break or otherwise deform under normal use.

Inner layer:

Plasticised PVC – opaque black

Outer layer:

Plasticised PVC – opaque yellow

Reinforcement:

High-strength polyester fibre.

Operating temperature:

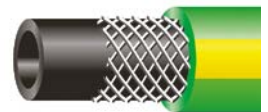
-5°C to +60°C



size	diameter mm		max weight g/m	max pressure bar		length packed m	number
	inner	outer		working	failure		
1/2"	12	16,5	130	12	36	25	30377
1/2"	12	16,5	130	12	36	50	303771
5/8"	15	21,5	228	10	30	25	303772
5/8"	15	21,5	228	10	30	50	303773
3/4"	19	26	315	8	24	25	30378
3/4"	19	26	315	8	24	50	303781
1"	25	32	399	6	18	25	30379
1"	25	32	399	6	18	50	303791

Non-standard pack lengths are available on request.

02-05-01
Astra Green PROFI



Usage:

Garden, agriculture, industry – transport of water and other non-aggressive liquids. The opaque design prevents algae growth.

The hose has a reinforced wall which guarantees excellent mechanical properties. The hose does not twist, break or otherwise deform under normal use.

Inner layer:

Plasticised PVC – opaque black

Outer layer:

Plasticised PVC – opaque green with longitudinal yellow stripe

Reinforcement:

High-strength polyester fibre.

Operating temperature:

-5°C to +60°C



size	diameter mm		max weight g/m	max pressure bar		length packed m	number
	inner	outer		working	failure		
1/2"	12	16,5	130	12	36	10	302704
1/2"	12	16,5	130	12	36	15	302703
1/2"	12	16,5	130	12	36	20	302702
1/2"	12	16,5	130	12	36	25	30270
1/2"	12	16,5	130	12	36	50	302701
5/8"	15	21,5	150	10	30	25	30271
5/8"	15	21,5	150	10	30	50	302711
3/4"	19	26	315	8	24	10	302724
3/4"	19	26	315	8	24	15	302723
3/4"	19	26	315	8	24	20	302722
3/4"	19	26	315	8	24	25	30272
3/4"	19	26	315	8	24	50	302721
1"	25	32	399	6	18	10	3027314
1"	25	32	399	6	18	15	3027313
1"	25	32	399	6	18	20	3027312
1"	25	32	399	6	18	25	30273
1"	25	32	399	6	18	50	302731



02-06-01
Astra Yellow PROFI



Usage:

Garden, agriculture, industry – transport of water and other non-aggressive liquids.

The opaque design prevents algae growth.

The hose has a reinforced wall which guarantees excellent mechanical properties. The hose does not twist, break or otherwise deform under normal use.

Inner layer:

Plasticised PVC – opaque black

Outer layer:

Plasticised PVC – opaque yellow with longitudinal green stripe

Reinforcement:

High-strength polyester fibre.

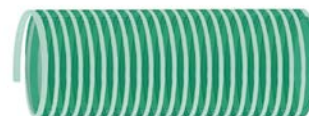
Operating temperature:

-5°C to +60°C



size	diameter mm		max weight g/m	max pressure bar		length packed m	number
	inner	outer		working	failure		
1/2"	12	16,5	130	12	36	10	302752
1/2"	12	16,5	130	12	36	15	302753
1/2"	12	16,5	130	12	36	20	302754
1/2"	12	16,5	130	12	36	25	30275
1/2"	12	16,5	130	12	36	50	302751
5/8"	15	21,5	150	10	30	25	30276
5/8"	15	21,5	150	10	30	50	302761
3/4"	19	26	315	8	24	10	302772
3/4"	19	26	315	8	24	15	302773
3/4"	19	26	315	8	24	20	302774
3/4"	19	26	315	8	24	25	30277
3/4"	19	26	315	8	24	50	302771
1"	25	32	399	6	18	10	302782
1"	25	32	399	6	18	15	302783
1"	25	32	399	6	18	20	302784
1"	25	32	399	6	18	25	30278
1"	25	32	399	6	18	50	302781

02-09-01
ACQUA suction hose



Usage:

The hose is suitable for suction and pumping of water and other liquids or for transporting non-abrasive materials in agriculture, gardening and households.

Material:

Plasticised PVC — transparent green

Reinforcement:

Hard PVC, impact-resistant — opaque white

Operating temperature:

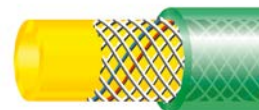
-20°C to +60°C



inner Ø mm	outer Ø mm	Weight max. g/m	bend radius mm	working pressure 23°C (bar)	working pressure 55°C (bar)	failure pressure 23°C (bar)	vacuum pressure 23°C (m/H ₂ O)	length packed m	number
20	24	173	110	4	1	14	5	30	910020
25	29	210	140	4	1	14	5	30	910025
32	34,4	280	180	4	1	14	5	30	910032
38	43	380	210	4	1	14	5	30	910038
50	56,2	630	270	4	1	14	5	30	910050
60	67,2	850	330	4	1	14	5	30	910060



02-10-01
Cobra Green PROFI



Usage:

Garden, agriculture, industry – transport of water and other non-aggressive liquids..

The opaque design prevents algae growth.

The hose has a reinforced wall which guarantees excellent mechanical properties. The hose does not twist, break or otherwise deform under normal use. Unusual colour design of the hose with textile reinforcement, which contains blue and red fibres.

Inner layer:

Plasticised PVC – opaque yellow

Outer layer:

Plasticised PVC – transparent green

Reinforcement:

High-strength polyester fibre.

Operating temperature:

-5°C to +60°C



size	diameter mm		max weight g/m	max pressure (bar)		length packed m	Number
	inner	outer		working	failure		
1/2"	12	16,5	130	12	36	25	30290
1/2"	12	16,5	130	12	36	50	302901
3/4"	19	26	315	8	24	25	30292
3/4"	19	26	315	8	24	50	302921
1"	25	32	399	6	18	25	30293
1"	25	32	399	6	18	50	302931

03-01-01
Shower hose WITHOUT TEXTILE



Hose material:

Plasticised PVC — opaque black or white
Single-layer hose without textile reinforcement, smooth.

Material of end fittings:

nut and socket — metal, chrome plated
plugs — nylon

Types of end fittings:

R-R both ends fitted with 1/2“ cylindrical nut 12 mm high

R-K one end fitted with 12 mm cylindrical nut, the other with 1/2“ conical nut 25 mm high

The hose end fittings are screwed (not pressed) into the hose, so the hose can only be used where there are no pressure shocks.

Stop-valve to be installed between the faucet and shower hose.

The hose cannot be used in combination with a shower head that uses the stop position.



color - length cm	order number	fittings	note
white 150 cm	50101	R-R	
	50117	R-K	
	50150	R-R	packing
	50168	R-K	packing
white 200 cm	50414	R-R	
	50415	R-K	
	501731	R-R	packing
	50173	R-K	packing



color - length cm	order number	fittings	note
black 150 cm	50102	R-R	
	50118	R-K	
	50151	R-R	packing
	50169	R-K	packing
black 200 cm	50416	R-R	
	50417	R-K	
	501741	R-R	packing
	50174	R-K	packing



03-01-02
Shower hose WITH TEXTILE



Hose material:

Plasticised PVC — opaque black, grey or white
The hose is reinforced with high-strength fibre.

Material of end fittings:

nut and socket — metal, chrome plated plugs — nylon

Types of end fittings:

R-R both ends fitted with 1/2“ cylindrical nut 12 mm high

R-K one end fitted with 12 mm cylindrical nut, the other with 1/2“ conical nut 25 mm high



The hose end fittings are screwed (not pressed) into the hose, so the hose can only be used where there are no pressure shocks. Stop-valve to be installed between the faucet and shower hose. The hose cannot be used in combination with a shower head that uses the stop position.

color - length cm	order number	fittings	note
white 150 cm	50103	R-R	
	50119	R-K	
	50152	R-R	packing
	50170	R-K	packing
white 200 cm	50418	R-R	
	50419	R-K	
	501752	R-R	packing
	501753	R-K	packing



color - length cm	order number	fittings	note
black 150 cm	50104	R-R	
	50120	R-K	
	50153	R-R	packing
	50171	R-K	packing
black 200 cm	50420	R-R	
	50421	R-K	
	501754	R-R	packing
	501755	R-K	packing



color - length cm	order number	fittings	note
grey 150 cm	50105	R-R	
	50121	R-K	
	50154	R-R	packing
	50172	R-K	packing
grey 200 cm	50422	R-R	
	50423	R-K	
	501756	R-R	packing
	501757	R-K	packing



03-02-01 Washing machine filling hose type 100 SC FF



These hoses are used to connect automatic washing machines or dishwashers to the water supply system.

The hoses are designed for water at 25°C, working pressure 10 Bar. The hose is manufactured according to ČSN EN 61770.

Inner layer:

Plasticised PVC — opaque black

Inner layer:

Plasticised PVC — opaque grey RAL 7001

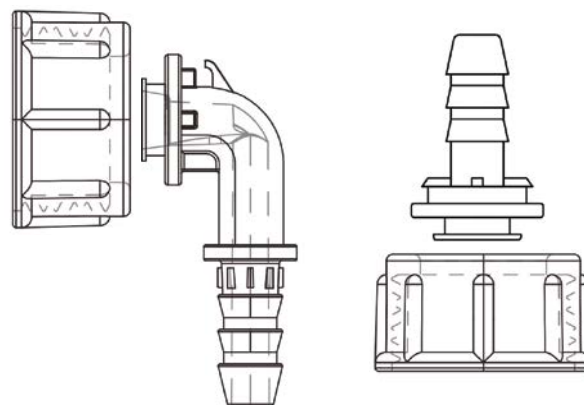
Reinforcement: High-strength polyester fibre.

Types of end fittings:

straight plastic plug and nut with 3/4" female thread
plastic elbow and nut with 3/4" female thread aluminium sleeve at both ends



length cm	order number	note	pcs/box
100	40201	loose	200
150	40202	loose	160
200	40203	loose	120
250	40204	loose	100
300	40205	loose	80
350	40206	loose	60
400	40207	loose	50
450	40209	loose	50
500	40208	loose	40
100	40101	packing	120
150	40102	packing	100
200	40103	packing	80
250	40104	packing	70
300	40105	packing	60
350	40106	packing	60
400	40107	packing	50
450	40108	packing	45
500	40109	packing	40



Loose: the hoses are supplied without individual packaging, loosely packed in boxes in bundles of 10 pieces

Packaging: PE bag, self-adhesive label with custom text, heat-sealed

Standard packaging: in a paper box with dimensions 770x580x370 mm.

03-02-02 Washing machine filling hose type 100 SS FM



These hoses are used to connect automatic washing machines or dishwashers to the water supply system. The hoses are designed for water at 25°C, working pressure 10 Bar. The hose is manufactured according to ČSN EN 61770.

Inner layer:

Plasticised PVC — opaque black

Inner layer:

Plasticised PVC — opaque grey RAL 7001

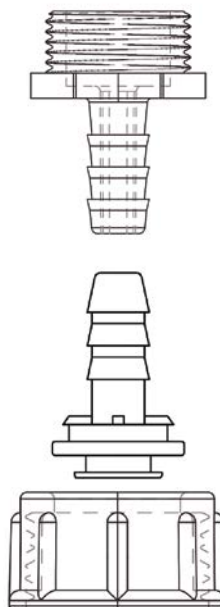
Reinforcement: High-strength polyester fibre.

Types of end fittings:

- straight plastic plug and nut with 3/4" female thread
- straight plastic nipple with 3/4" male thread
- aluminium sleeve at both ends



length cm	order number	note	pcs/box
100	40001	loose	200
150	40002	loose	160
200	40003	loose	120
250	40004	loose	100
300	40005	loose	80
350	40006	loose	60
400	40007	loose	50
450	40008	loose	50
500	40009	loose	40
100	400091	packing	120
150	400092	packing	100
200	400093	packing	80
250	400094	packing	70
300	400095	packing	60
350	400096	packing	60
400	400097	packing	50
450	400098	packing	45
500	400099	packing	40



Loose: the hoses are supplied without individual packaging, loosely packed in boxes in bundles of 10 pieces

Packaging: PE bag, self-adhesive label with custom text, heat-sealed

Standard packaging: in a paper box with dimensions 770x580x370 mm.

03-02-03 Washing machine filling hose type 100 SS FF



These hoses are used to connect automatic washing machines or dishwashers to the water supply system. The hoses are designed for water at 25°C, working pressure 10 Bar.

The hose is manufactured according to ČSN EN 61770.

Inner layer:

Plasticised PVC — opaque black

Inner layer:

Plasticised PVC — opaque grey RAL 7001

Reinforcement: High-strength polyester fibre.

Types of end fittings:

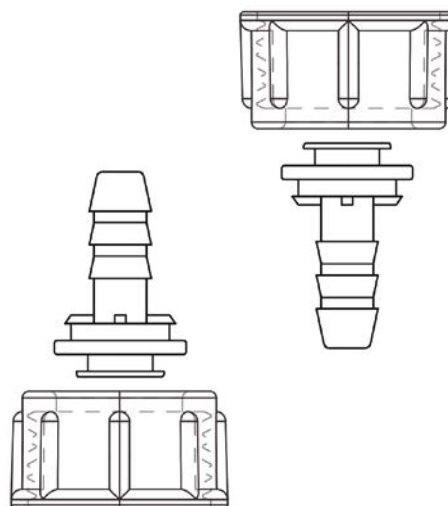
straight plastic plug and nut with 3/4" female thread

straight plastic plug and nut with 3/4" female thread

aluminium sleeve at both ends



length cm	order number	note	pcs/box
100	40301	loose	200
150	40302	loose	160
200	40303	loose	120
250	40304	loose	100
300	40305	loose	80
350	40306	loose	60
400	40307	loose	50
450	40308	loose	50
500	40309	loose	40
100	40311	packing	120
150	40312	packing	100
200	40313	packing	80
250	40314	packing	70
300	40315	packing	60
350	40316	packing	60
400	40317	packing	50
450	40318	packing	45
500	40319	packing	40



Loose: the hoses are supplied without individual packaging, loosely packed in boxes in bundles of 10 pieces

Packaging: PE bag, self-adhesive label with custom text, heat-sealed

Standard packaging: in a paper box with dimensions 770x580x370 mm.

03-02-04 Washing machine filling hose type 200 Light SC FF



These hoses are used to connect automatic washing machines or dishwashers to the water supply system.

The hoses are designed for water at 25°C, working pressure 10 Bar. The hose is manufactured according to ČSN EN 61770. The Light washing machine hose has a thinner wall than a standard inlet hose, resulting in a lower overall weight.

Inner layer:

Plasticised PVC — opaque black

Inner layer:

Plasticised PVC — opaque grey RAL 7001

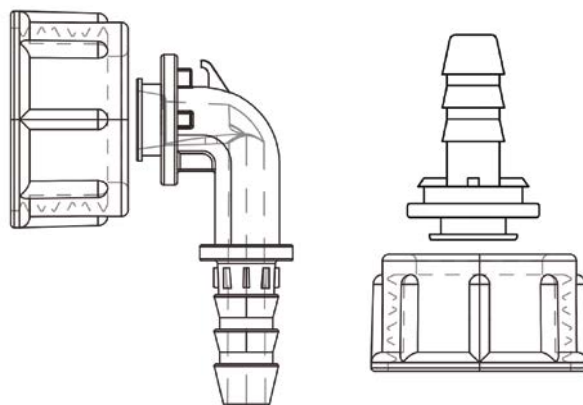
Reinforcement: High-strength polyester fibre.

Types of end fittings:

traight plastic plug and nut with 3/4" female thread
plastic elbow and nut with 3/4" female thread
aluminium sleeve at both ends



length cm	order number	note	pcs/box
100	41201	loose	200
150	41202	loose	160
200	41203	loose	120
250	41204	loose	100
300	41205	loose	80
350	41206	loose	60
400	41207	loose	50
450	41208	loose	50
500	41209	loose	40
100	41101	packing	120
150	41102	packing	100
200	41103	packing	80
250	41104	packing	70
300	41105	packing	60
350	41106	packing	60
400	41107	packing	50
450	41108	packing	45
500	41109	packing	40



Loose: the hoses are supplied without individual packaging, loosely packed in boxes in bundles of 10 pieces

Packaging: PE bag, self-adhesive label with custom text, heat-sealed

Standard packaging: in a paper box with dimensions 770x580x370 mm.

03-02-05 Washing machine filling hose type 200 Light RR FM



These hoses are used to connect automatic washing machines or dishwashers to the water supply system. The hoses are designed for water at 25°C, working pressure 10 Bar. The hose is manufactured according to ČSN EN 61770. The Light washing machine hose has a thinner wall than a standard inlet hose, resulting in a lower overall weight.

Inner layer:

Plasticised PVC — opaque black

Inner layer:

Plasticised PVC — opaque grey RAL 7001

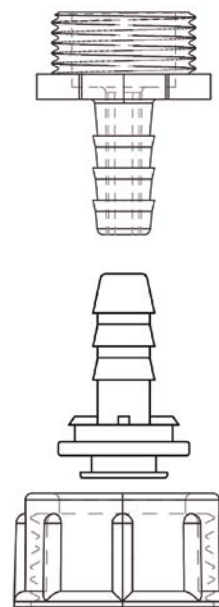
Reinforcement: High-strength polyester fibre.

Types of end fittings:

- straight plastic plug and nut with 3/4" female thread
- straight plastic nipple with 3/4" male thread
- aluminium sleeve at both ends



length cm	order number	note	pcs/box
100	41001	loose	200
150	41002	loose	160
200	41003	loose	120
250	41004	loose	100
300	41005	loose	80
350	41006	loose	60
400	41007	loose	50
450	41008	loose	50
500	41009	loose	40
100	410091	packing	120
150	410092	packing	100
200	410093	packing	80
250	410094	packing	70
300	410095	packing	60
350	410096	packing	60
400	410097	packing	50
450	410098	packing	45
500	410099	packing	40



Loose: the hoses are supplied without individual packaging, loosely packed in boxes in bundles of 10 pieces

Packaging: PE bag, self-adhesive label with custom text, heat-sealed

Standard packaging: in a paper box with dimensions 770x580x370 mm.



03-02-06

Washing machine filling hose type 200 Light SS FF



These hoses are used to connect automatic washing machines or dishwashers to the water supply system. The hoses are designed for water at 25°C, working pressure 10 Bar. The hose is manufactured according to ČSN EN 61770. The Light washing machine hose has a thinner wall than a standard inlet hose, resulting in a lower overall weight.

Inner layer:

Plasticised PVC — opaque black

Inner layer:

Plasticised PVC — opaque grey RAL 7001

Reinforcement: High-strength polyester fibre.

Types of end fittings:

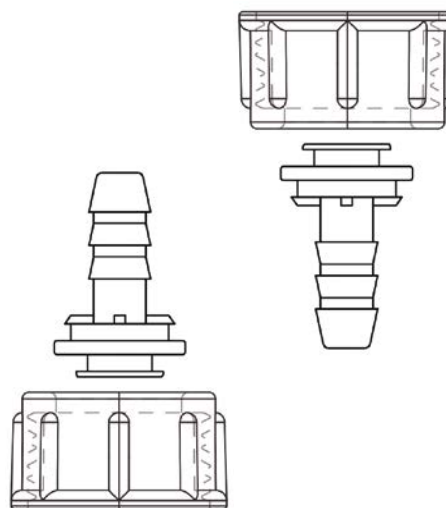
straight plastic plug and nut with 3/4" female thread

straight plastic plug and nut with 3/4" female thread

aluminium sleeve at both ends



length cm	order number	note	pcs/box
100	41301	loose	200
150	41302	loose	160
200	41303	loose	120
250	41304	loose	100
300	41305	loose	80
350	41306	loose	60
400	41307	loose	50
450	41308	loose	50
500	41309	loose	40
100	41311	packing	120
150	41312	packing	100
200	41313	packing	80
250	41314	packing	70
300	41315	packing	60
350	41316	packing	60
400	41317	packing	50
450	41318	packing	45
500	41319	packing	40



Loose: the hoses are supplied without individual packaging, loosely packed in boxes in bundles of 10 pieces

Packaging: PE bag, self-adhesive label with custom text, heat-sealed

Standard packaging: in a paper box with dimensions 770x580x370 mm.

03-03-01 Washing machine drain hose S-S

Hose material:

PE, grey colour. The hose is very flexible and pliable

Type of end fittings:

straight fitting at both ends, internal diameters 19mm/22mm



length cm	order number	note
46	40517	loose
100	40501	loose
150	40502	loose
200	40503	loose
250	40504	loose
300	40505	loose
350	40506	loose
400	40507	loose
500	40508	loose
46	40526	packing
100	40518	packing
150	40519	packing
200	40520	packing
250	40521	packing
300	40522	packing
350	40523	packing
400	40524	packing
500	40525	packing
Plastic bend - hinge	40511	
Plastic bend - hinge	40527	packing

03-03-02 Washing machine drain hose S-C

Hose material:

PE, grey colour. The hose is very flexible and pliable

Type of end fittings:

straight end fitting
inner diameter 19 mm
elbow 90°
inner diameter 22 mm



length cm	order number	note
46	40601	loose
100	40602	loose
150	40603	loose
200	40604	loose
250	40605	loose
300	40607	loose
350	40608	loose
400	40609	loose
500	40610	loose
46	40628	packing
100	40620	packing
150	40621	packing
200	40622	packing
250	40623	packing
300	40624	packing
350	40625	packing
400	40626	packing
500	40627	packing

Packaging: PE bag, self-adhesive label, seal + plastic fold



03-03-03 Washing machine drain hose extension



Hose material:

PE, grey colour. The hose is very elastic and flexible. It serves as an extension of the existing drain hose.

Type of end fittings:

straight nipple for insertion into existing hose — outside diameter 19 mm
straight end fitting, inner diameter 19 mm

length cm	order number	note
100	40710	loose
150	40711	loose
200	40712	loose
100	40720	packing
150	40721	packing
200	40722	packing



Packaging: PE bag, self-adhesive label, seal

04-01 Standard quick couplings DN 7,2

- universal quick couplings in pure brass MS 58
- materials used: connecting parts, locking ring, valve body, valve made of brass MS 58

springs, spacer ring, stainless steel ball
Perbunan seals for MS 58 brass or steel plugs, zinc-plated and yellow chromated

Working pressure: PN 35 Bar
Temperature: -20°C / +100°C
Thread: ISO 228 / DIN 2999
DN: 7,2

Max. flow rate: 1 100 l/min.
Single-handed: yes
Closure: single-sided
Medium: air, etc.



04-01-01



04-01-02



04-01-03

04-01-01 QUICK COUPLINGS WITH MALE THREAD

number	catalog number	thread	⊘ SW	l	d	thread length	weight (g)
ES18A	ES18A	G 1/8"	22	38	27	7	70
60401	ES14A	G 1/4"	22	40	27	9	73
60402	ES38A	G 3/8"	22	41	27	9	76
60403	ES12A	G 1/2"	22	41	27	10	87



04-01-02 QUICK COUPLINGS WITH FEMALE THREAD

number	catalog number	thread	⊘ SW	l	d	thread length	weight (g)
ES18I	ES18I	G 1/8"	22	39	27	9	90
60410	ES14I	G 1/4"	22	41	27	10,5	92
60411	ES38I	G 3/8"	22	41	27	10,5	85
60412	ES12I	G 1/2"	24	42,5	27	12	81



04-01-03 QUICK COUPLINGS WITH HOSE BARB

number	catalog number	mandrel diameter	l	d	mandrel length	Weight (g)
60310	ES6T	6 mm	55	27	25	64
ES8T	ES8T	8 mm	55	27	25	67
60311	ES9T	9 mm	55	27	25	68
ES10T	ES10T	10 mm	55	27	25	70
60312	ES13T	13 mm	55	27	25	75



04-02
Standard plugs DN 7,2

- universal quick couplings in pure brass MS 58
- new mandrel contour for better hose fit and easier installation
- all quick couplings can be supplied with full flow (without valve) or with shut-off valve on request
- materials used: - connecting parts, locking ring, valve body, valve made of brass MS 58

springs, spacer ring, stainless steel ball, perbunan gasket
plugs made of brass MS 58 or steel, galvanized and yellow chromated

Working pressure: PN 35 Bar
Temperature: -20°C / +100°C
Thread: ISO 228 / DIN 2999
DN: 7,2

Flow rate: 1 100 l/min.
Single-handed: yes
Closure: single-sided
Medium: air etc.



04-02-01



04-02-02



04-02-03

04-02-01 PLUGS WITH MALE THREAD

number	catalog number	thread	⊕ SW	l	thread length	plugs length	weight (g)
ES18NA	ES18NA	G 1/8"	13	31	7	20	17
60405	ES14NA	G 1/4"	17	33	9	20	21
60406	ES38NA	G 3/8"	19	33	9	20	26
60407	ES12NA	G 1/2"	24	35	10	20	41



04-02-02 PLUGS WITH FEMALE THREAD

number	catalog number	thread	⊕ SW	l	thread length	plugs length	weight (g)
ES18NI	ES18NI	G 1/8"	13	31	9	20	16
60415	ES14NI	G 1/4"	17	33	10	20	24
60416	ES38NI	G 3/8"	19	33	10	20	23
60417	ES12NI	G 1/2"	24	35	12	20	38



04-02-03 PLUGS WITH HOSE BARB

number	catalog number	mandrel diameter	d	l	mandrel length	plugs length	weight (g)
60320	ES6S	6 mm	12	44	24	20	14
ES8S	ES8S	8 mm	12	44	24	20	18
60321	ES9S	9 mm	12	44	24	20	17
ES10S	ES10S	10 mm	12	44	23	20	19
60322	ES13S	13 mm	15	44	23	20	24



04-03

Two-way and three-way splitters for quick couplings

Two-way and three-way splitters for quick couplings made of MS 58 brass, designed for dividing lines at central distribution points

- special manifold parts in pure brass MS 58
- designed for compressed air in industry, crafts. Can also be used for water and other media

Working pressure: PN 35 Bar

Temperature: -20°C / +100°C

Thread: ISO 228 / DIN 2999

DN: 7,2

Flow rate: 1 100 l/min.

Single-handed: yes

Closure: single-sided

Medium: air, etc.



04-03-01



04-03-02



04-03-03



04-03-04

04-03-01 TWO-WAY SPLITTERS WITH FEMALE THREADS

number	catalog number	thread	DN	l	weight (g)
60501	DWS38	3 x G 3/8"	15	46	93
60502	DWS12	3 x G 1/2"	19	50	100

04-03-02 TWO-WAY SPLITTERS WITH QUICK COUPLINGS DN 7,2 AT OUTLETS

number	catalog number	inlet	Outlet	DN	l	Weight (g)
DWS38ES	DWS38ES	G 3/8"	2xES38A	7,2	67	241
DWS12ES	DWS12ES	G 1/2"	2xES12A	7,2	69	275

04-03-03 THREE-WAY SPLITTERS WITH FEMALE THREADS

number	catalog number	thread	DN	l	weight (g)
60510	VWS38	4 x G 3/8"	15	61	191
60511	VWS12	4 x G 1/2"	19	59,5	170

04-03-04 THREE-WAY SPLITTERS WITH DN 7.2 QUICK COUPLINGS ON THE OUTLETS

number	catalog number	inlet	outlet	DN	l	weight (g)
VWS38ES	VWS38ES	G 3/8"	3xES38A	7,2	92	417
VWS12ES	VWS12ES	G 1/2"	3xES12A	7,2	91	435



04-04
Fittings for compressed air

Compressed air fitting made of brass — robust design

- fittings in brass
- designed mainly for compressed air technology, but also for automation, measuring, control and welding technology



04-04-01



04-04-02

04-04-01 MALE THREADED FITTING WITH HOSE SHANK

number	thread	mandrel	⊕ SW	h	thread length	mandrel length	konus
T186M	G 1/8"	6 mm	14	33 mm	7 mm	22 mm	45°
T189M	G 1/8"	9 mm	14	33 mm	7 mm	22 mm	45°
T146M	G 1/4"	6 mm	17	35 mm	9 mm	22 mm	45°
T148M	G 1/4"	8 mm	17	35 mm	9 mm	22 mm	45°
T149M	G 1/4"	9 mm	17	35 mm	9 mm	22 mm	45°
T1410M	G 1/4"	10 mm	17	35 mm	9 mm	22 mm	45°
T1413M	G 1/4"	13 mm	17	42 mm	9 mm	28 mm	45°
T386M	G 3/8"	6 mm	19	36 mm	9 mm	22 mm	45°
T389M	G 3/8"	9 mm	19	36 mm	9 mm	22 mm	45°
T3813M	G 3/8"	13 mm	19	42 mm	9 mm	28 mm	45°
T126M	G 1/2"	6 mm	24	41 mm	10 mm	25 mm	45°
T129M	G 1/2"	9 mm	24	40 mm	10 mm	22 mm	45°
T1213M	G 1/2"	13 mm	24	46 mm	11 mm	28 mm	45°
T1219M	G 1/2"	19 mm	24	54 mm	12 mm	36 mm	45°
T3413M	G 3/4"	13 mm	32	52 mm	16 mm	28 mm	45°
T3419M	G 3/4"	19 mm	32	60 mm	16 mm	35 mm	45°
T1025M	G 1"	25 mm	36	59 mm	17 mm	38 mm	37°



h

04-04-02 FEMALE/MALE THREAD REDUCER

number	female thread	male thread	⊕ SW	l	thread length
R1814M	G 1/8"	G 1/4"	17	12,5 mm	8 mm
R1438M	G 1/4"	G 3/8"	19	13 mm	8,5 mm
R1412M	G 1/4"	G 1/2"	24	15 mm	10 mm
R3812M	G 3/8"	G 1/2"	24	15 mm	10 mm
R1234M	G 1/2"	G 3/4"	32	19 mm	13 mm
R1210M	G 1/2"	G 1"	36	22 mm	15 mm



l

04-04
Fittings for compressed air

04-04-03 FITTINGS WITH MALE THREADS

number	thread 1	thread 2	thread length 1	thread length 2	SW	l
D1818M	G 1/8"	G 1/8"	6.5 mm	6.5 mm	14	18 mm
D1814M	G 1/8"	G 1/4"	6.5 mm	9 mm	17	20 mm
D1414M	G 1/4"	G 1/4"	9 mm	9 mm	17	23 mm
D1438M	G 1/4"	G 3/8"	9 mm	9 mm	19	23 mm
D1412M	G 1/4"	G 1/2"	9 mm	12 mm	24	27 mm
D3838M	G 3/8"	G 3/8"	9 mm	9 mm	19	23 mm
D3812M	G 3/8"	G 1/2"	9 mm	12 mm	24	27 mm
D1212M	G 1/2"	G 1/2"	12 mm	12 mm	24	30 mm
D1234M	G 1/2"	G 3/4"	12 mm	16 mm	32	36 mm
D1210M	G 1/2"	G 1"	12 mm	16 mm	36	40 mm
D3434M	G 3/4"	G 3/4"	16 mm	16 mm	32	40 mm



04-04-04 CONNECTING PIPES

number	hose mandrel	l
SV6M	6 mm	44 mm
SV8M	8 mm	44 mm
SV9M	9 mm	44 mm
SV13M	13 mm	44 mm
SV19M	19 mm	65 mm
SV25M	25 mm	80 mm



04-04-05 SWIVEL NUTS

number	female thread	hole	SW	h	weight (g)
U 14 M	G 1/4"	10,6 mm	17	14 mm	16
U 38 M	G 3/8"	13 mm	19	15 mm	15
U 12 M	G 1/2"	15,5 mm	24	16 mm	28



04-04-06 INSERTS FOR CAP NUTS (WITH EXTERNAL CONE)

number	mandrel	for nut	DN	h	a	c	mandrel length
ST 146 M	6 mm	U 14 M	4	42 mm	6 mm	34 mm	28 mm
ST 149 M	9 mm	U 14 M	5,5	42 mm	6 mm	34 mm	28 mm
ST 386 M	6 mm	U 38 M	4	47 mm	7 mm	38 mm	28 mm
ST 389 M	9 mm	U 38 M	6,5	47 mm	7 mm	38 mm	28 mm
ST 129 M	9 mm	U 12 M	6,5	47 mm	7 mm	38 mm	29 mm
ST 1213 M	13 mm	U 12 M	9	47 mm	7 mm	38 mm	29 mm



04-05-01 Hose clamps version W1, width 9 mm



Material:
tape — carbon steel, chrome plated
house — carbon steel chromed
screw — carbon steel chrome plated

number	range mm	tape width mm	tape thickness mm	⊙ SW	packing pcs/bag
W1008012	8-12	9	0,6	7	50
W1010016	10-16	9	0,6	7	50
W1012022	12-22	9	0,6	7	50
W1016027	16-27	9	0,6	7	50
W1020032	20-32	9	0,6	7	20
W1025040	25-40	9	0,6	7	20
W1030045	30-45	9	0,6	7	20
W1032050	32-50	9	0,6	7	20
W1040060	40-60	9	0,6	7	20
W1050070	50-70	9	0,6	7	20
W1060080	60-80	9	0,6	7	20
W1070090	70-90	9	0,6	7	20
W1080100	80-100	9	0,6	7	20
W1090110	90-110	9	0,6	7	20
W1100120	100-120	9	0,6	7	20
W1110130	110-130	9	0,6	7	20
W1120140	120-140	9	0,6	7	20
W1130150	130-150	9	0,6	7	20
W1140160	140-160	9	0,6	7	20

04-05-02 Hose clamps version W2, width 9 mm



Material:
tape — stainless steel
house — chrome-plated carbon steel
screw — carbon steel chrome plated

number	range mm	tape width mm	tape thickness mm	⊙ SW	packing pcs/bag
W2008012	8-12	9	0,6	7	50
W2010016	10-16	9	0,6	7	50
W2012022	12-22	9	0,6	7	50
W2016027	16-27	9	0,6	7	50
W2020032	20-32	9	0,6	7	20
W2025040	25-40	9	0,6	7	20
W2030045	30-45	9	0,6	7	20
W2032050	32-50	9	0,6	7	20
W2040060	40-60	9	0,6	7	20
W2050070	50-70	9	0,6	7	20
W2060080	60-80	9	0,6	7	20
W2070090	70-90	9	0,6	7	20
W2080100	80-100	9	0,6	7	20
W2090110	90-110	9	0,6	7	20
W2100120	100-120	9	0,6	7	20
W2110130	110-130	9	0,6	7	20
W2120140	120-140	9	0,6	7	20
W2130150	130-150	9	0,6	7	20
W2140160	140-160	9	0,6	7	20

04-05-03 Hose clamps version W4, width 9 mm



Material:

tape — stainless steel
house — stainless steel
screw — stainless steel

number	range mm	tape width mm	tape thickness mm	⬡ SW	packing pcs/bag
W4008012	8-12	9	0,6	7	50
W4010016	10-16	9	0,6	7	50
W4012022	12-22	9	0,6	7	50
W4016027	16-27	9	0,6	7	50
W4020032	20-32	9	0,6	7	20
W4025040	25-40	9	0,6	7	20
W4030045	30-45	9	0,6	7	20
W4032050	32-50	9	0,6	7	20
W4040060	40-60	9	0,6	7	20
W4050070	50-70	9	0,6	7	20
W4060080	60-80	9	0,6	7	20
W4070090	70-90	9	0,6	7	20
W4080100	80-100	9	0,6	7	20
W4090110	90-110	9	0,6	7	20
W4100120	100-120	9	0,6	7	20
W4110130	110-130	9	0,6	7	20
W4120140	120-140	9	0,6	7	20
W4130150	130-150	9	0,6	7	20
W4140160	140-160	9	0,6	7	20

Hose clamp worm W4, fixed tightening with hexagon screw SW7.
Use for industrial hose attachment with high demands on connection quality.



04-05-04 Hose clamps Power Clamp version W1



Material:
tape — carbon steel, yellow zinc plated
house — carbon steel, yellow zinc plated

number	range mm	tape width mm	screw	packing pcs/bag
WP017019	17-19	18	M6x40	200
WP020022	20-22	18	M6x40	250
WP023025	23-25	18	M6x40	250
WP026028	26-28	18	M6x40	250
WP029031	29-31	20	M6x50	250
WP032035	32-35	20	M6x50	250
WP036039	36-39	20	M6x50	250
WP040043	40-43	20	M6x50	250
WP044047	44-47	22	M6x60	200
WP048051	48-51	22	M6x60	100
WP052055	52-55	22	M6x60	100
WP056059	56-59	22	M6x60	100
WP060063	60-63	22	M6x60	100
WP064067	64-67	22	M6x60	100
WP068073	68-73	24	M8x75	100
WP074079	74-79	24	M8x75	100
WP080085	80-85	24	M8x75	100
WP086091	86-91	24	M8x75	100
WP092097	92-97	24	M8x75	100
WP098103	98-103	24	M8x80	50
WP104112	104-112	24	M8x80	50
WP113121	113-121	24	M8x80	50
WP122130	122-130	24	M8x80	50
WP131139	131-139	26	M10x90	50
WP140148	140-148	26	M10x90	50
WP149161	149-161	26	M10x90	50
WP162174	162-174	26	M10x90	50
WP175187	175-187	26	M10x90	25
WP188200	188-200	26	M10x105	25
WP201213	201-213	26	M10x105	25
WP214226	214-226	26	M10x105	25
WP227239	227-239	26	M10x105	25
WP240252	240-252	26	M10x105	25

Hose clamp with hinge clamp, with high strength and perfect circumferential tightening. Use for connecting hoses with high demands on connection strength, for large hose diameters in industry, agriculture, etc.

TABLE OF CHEMICAL RESISTANCE OF PVC

A - high resistance, for permanent contact with the medium

B - medium resistance, limited contact with the medium

C - low resistance, limited use

X - without resistance

all values relative to ambient temperature +20°C

MEDIUM	
Acetone	X
Acetylene	A/B
Acetaldehyde 50%	X
Amyl acetate	X
Amyl alcohol	A
Argon	A
Benzen	X
Gasoline	B
Benzyl alcohol	X
Bordeaux mixture	B
Sodium borate	B
Butyl acetate	X
Butyl alcohol (butanol)	B
Ammonium chloride	B
Barium chloride	B
Potassium chloride	A
Aluminium chloride	B
Magnesium chloride	B
Copper chloride	B
Sodium chloride (brine)	B
Calcium chloride	C
Ferric chloride	B
Zinc chloride	B
Chlorobenzene	X
Chloroform	X
Sodium hypochlorite (15%)	A
Calcium hypochlorite	B
Cyclohexane	C
Cyclohexanol	C
Cyclohexanone	X
Diacetone alcohol	X
Dichlorobenzene	X
Dichloroethylene	X
Diethyl amine	C
Diethylene glycol	B
Dimethyl formamide	X
Carbon disulfide	X
Potassium nitrate	B
Aluminium nitrate	B
Sodium nitrate	B

MEDIUM	
Silver nitrate	B
Ferrous nitrate	B
Nitrogen	A
Ethyl acetate	X
Ethyl ether (ether)	X
Ethyl alcohol (ethanol)	B
Ethylene glycol	B
Phenol (carbolic acid)	C
Formaldehyde	C
Ammonium phosphate	C
Sodium phosphate	B
Glucose	B
Glycerine	B
Helium	A
Hexane	C
Sodium hydrogen sulphide	B
Sodium bicarbonate	B
Ammonium hydroxide	B
Potassium hydroxide	B
Magnesium hydroxide	B
Sodium hydroxide	B
Calcium hydroxide	B
Isobutyl alcohol (isobutanol)	B
Isooctane	B
Isopropyl acetate	X
Isopropyl alcohol (isopropanol)	B
Sodium silicate	B
Creosote (coal tar)	X
Cresol	C
Potassium cyanide	B
Sodium cyanide	B
Palmitic acid	B
Adipic acid	B
Boric acid	B
Hydrobromic acid	B
Hydrochloric acid (hot) 37%	X
Hydrochloric acid (cold) 37%	C
Chromic acid	B
Citric acid	C
Nitric acid - solution	X

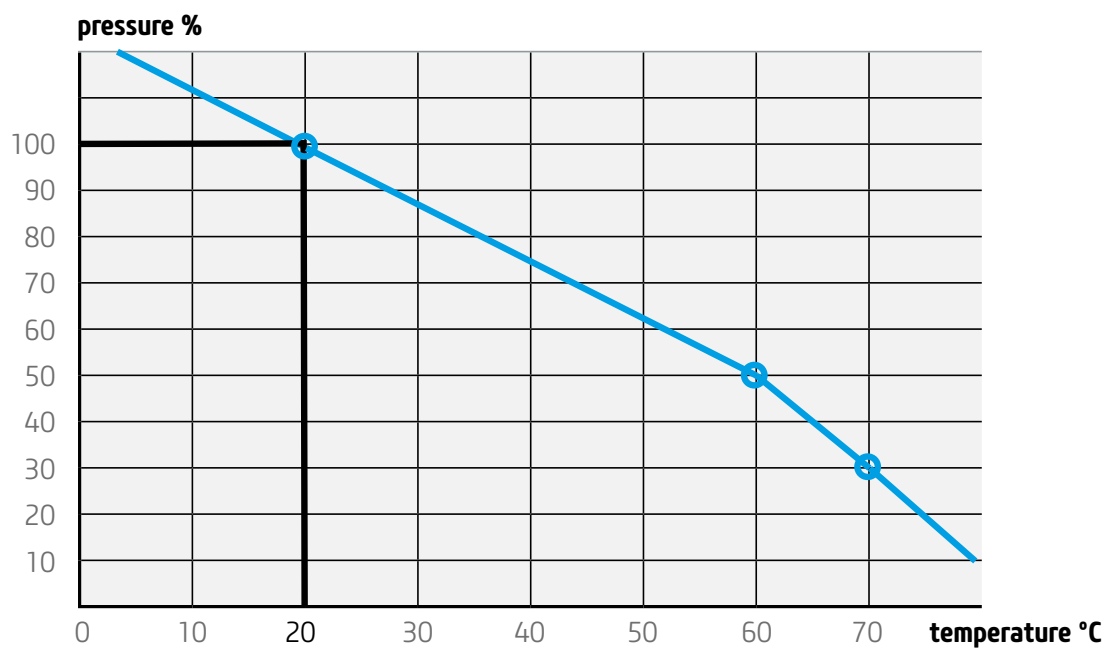
MEDIUM	
Fluorosilicic acid	B
Hydrofluoric acid (conc.) cold	C
Phosphoric acid 20%	B
Gallic acid	B
Malic acid	B
Cresol acid	X
Lactic acid (cold)	C
Formic acid	C
Acetic acid 30%	C
Acetic acid, glacial	B
Oleic acid	B
Sulphuric acid	B
Sulphuric acid 10%	C
Sulphuric acid 10% - 75%	X
Sulphuric acid 96%	X
Fuming sulfuric acid (oleum)	X
Stearic acid	B
Tannic acid	C
Carbonic acid	C
Tartaric acid	B
Aqua regia	X
Fatty acids	B
Methyl acetate	X
Methyl alcohol (methanol)	B
Methyl bromide	X
Methyl ethyl ketone	X
Sea water	B
Automotive diesel	B
Soap solutions	B
Diesel fuel	C
Diesel fuel (pure)	C
Naphthalene	C
Nitrobenzene	X
Vinegar	B
Aluminium acetate	B
Lead acetate	B
Pine oil	B
Lavender oil	X
Mineral oil	B



MEDIUM	
Soy oil	B
Silicone oils	B
Sulphur dioxide	C
Carbon dioxide	B
Ozone	B
Sodium perborate	B
Perchloroethylene (tetrachloroethylene)	X
Sodium peroxide	B
Pyridine	X
Propane	B
Propyl alcohol (propanol)	B
Propylene glycol	A
Crude oil	B
Ammonium sulphate	B
Potassium sulphate	B
Aluminium sulphate	A
Magnesium sulphate	B
Copper sulphate	B

MEDIUM	
Sodium sulphate	B
Ferrous sulphate	B
Zinc sulphate	B
Barium sulphate	B
Brine (NaCl)	A
Styren	X
Turpentine	C
Terpineol	B
Methane tetrachloride	X
Lead tetraethyl	B
Sodium thiosulphate	B
Toluene	X
Trichloroethylene	X
Triethanolamine	C
Vinyl chloride	X
Water	A
Xylene	X
Gelatin	B

Working pressure values depending on temperature



The working pressure of PVC hoses is tested at 20°C.
The graph shows the decrease in the working pressure value when the temperature rises above 20°C.

TUB



INFORMATION

The quality control system in our company is certified according to ISO 9001.

For further technical information, safety data sheets and various certificates and permits, please visit our website or contact us.

CONTACTS

The company's registered office and business premises:

TUBI ITALIA BOHEMIA, s.r.o.
Nový Dvůr 2, 395 01 Kámen
Czech Republic

Company ID No.: 62497804
VAT ID No.: CZ62497804

The company is registered in the commercial register maintained by the Regional Court in České Budějovice, section C, insert 4528.

Tel.: +420 565 426 838

Tel.: +420 565 426 600

E-mail: info@tubi.cz

TUB TUBI
ITALIA
BOHEMIA s.r.o.

E-SHOP:
www.profihadice.cz

WEBSITE:
www.tubiitalia.com